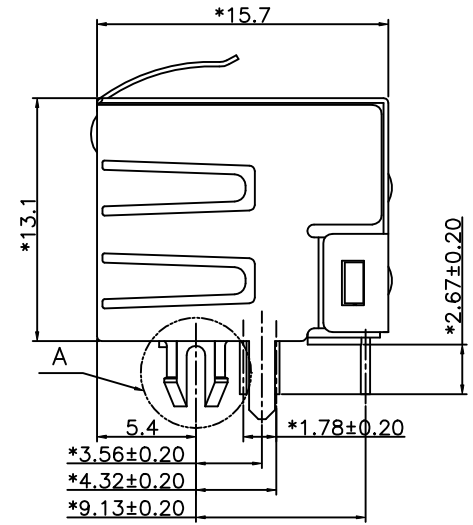
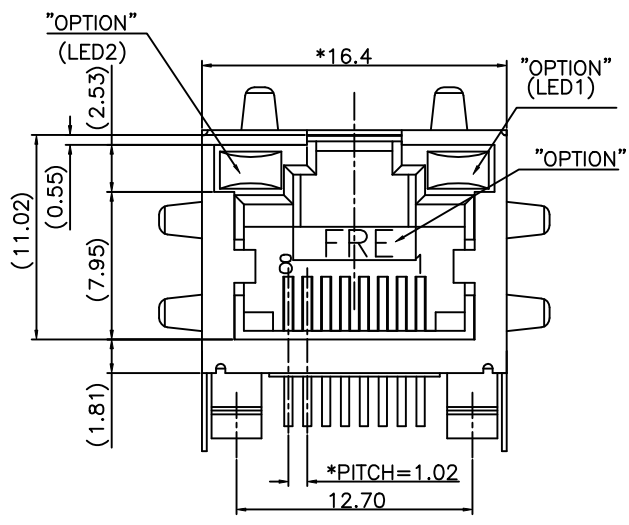
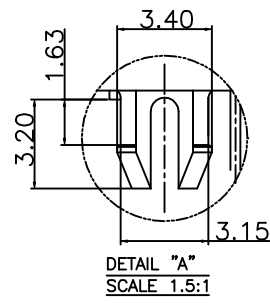
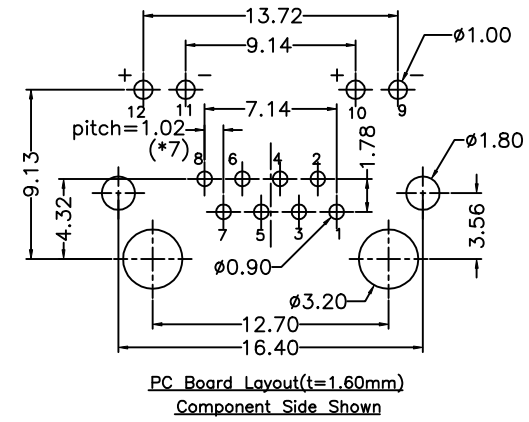
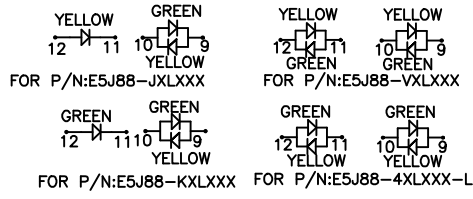


REVISION RECORD				
REV	ECO	DESCRIPTION	DRFT	CHKD



- NOTES:**
- ELECTRICAL:**
- VOLTAGE RATING : 125 VAC RMS.
 - CURRENT RATING : 1.5 AMP.
 - CONTACT RESISTANCE : 30 MILLIOHMS MAX.
 - INSULATION RESISTANCE: 1000 MEGOHMS MIN @ 500 VDC.
 - DIELECTRIC STRENGTH : 1000 VAC RMS 60Hz, 1MIN.
 - LED RATINGS: FORWARD VOLTAGE: 2.2 VOLTS TYPICAL.
REVERSE VOLTAGE: 5 VOLTS MINIMUM.
 - OPERATING: 750 CYCLES MIN.
- MECHANICAL:**
- HOUSING MATERIAL : PBT+30%GF UL94V-0. COLOR-BLACK.
 - INSERT MATERIAL : PBT+30%GF UL94V-0. COLOR-BLACK.
 - BACK PLATE MATERIAL : PBT+30%GF COLOR-BLACK.
 - LED SIZE : 3.2*2.0*7.0*P=2.54mm.
 - SHIELD MATERIAL : COPPER ALLOY 0.25mm THICKNESS PLATING NI.
 - CONTACT MATERIAL : PHOSPHOR BRONZE 0.35mm THICKNESS OR Ø0.46.
 - PLATING : GOLD PLATING OVER NICKEL.
 - PCB RETENTION PRE-SOLDER : 1 LB MIN.
 - PCB RETENTION POST-SOLDER: 10 LBS MIN.
- ENVIRONMENTAL:**
- STORAGE : -40°C TO +85°C.
 - OPERATION: -40°C TO +85°C.
 - WAVE SOLDERING TEMPERATURE: 230~250°(3~5 SECONDS)
- MATES WITH MODULAR PLUG CONFORMING TO
FCC PART 68, SUBPART F.
CUL FILE No:E163191



- LEAD FREE PART NUMBER: E 5J 8 8 - X X L X X X-L
- | | |
|----------------------------|---|
| 1-LED1:GREEN ,LED2:YELLOW | PLATING:1-3u" 2-6u" |
| 2-LED1:GREEN ,LED2:GREEN | 3-15u" 4-30u" 5-50u" |
| 3-LED1:YELLOW ,LED2:GREEN | 1-Plate Tin shield stamp pin,led long 7.0mm |
| 4-LED1:G+Y ,LED2:G+Y | 2-Plate Ni shield stamp pin,led long 7.0mm |
| 5-LED1:RED ,LED2:GREEN | 3-Plate Tin shield round pin,led long 7.0mm |
| 7-LED1:YELLOW ,LED2:YELLOW | 4-Plate Ni shield round pin,led long 7.0mm |
| J-LED1: G+Y ,LED2:YELLOW | |
| E-LED1:GREEN ,LED2:RED | |
| K-LED1:G+Y ,LED2:GREEN | 0-W/O LOGO PBT+30% |
| V-LED1:Y+G ,LED2:Y+G | 2-W/ "FRE" LOGO |
- 1-NO TAB
2-TOP TABS
3-SIDE TABS
4-TOP TABS & SIDE TABS

MM (INCH)		DFTO PETERS	DATE 03/25/05	FULL RISE ELECTRONIC CO., LTD	
TOLERANCES EXCEPT AS NOTED		CHKD/WE	DATE 2005/3/25	TITLE RJ45 SIDE ENTRY LED JACK	
		MFO	DATE		
DETAILED LISTS		APPV/LUSH/DW	DATE 2005/3/25	DRAWING NO. GE5J3015-LC	
MM	±	MATERIAL :		SIZE	REV
.0 ± 0.20	±	QTY :		A3	0
.00 ± 0.15	±	FINISH :		/PART NO. SEE NOTE	
.000 ± 0.075	±	SCALE : 3:1		DO NOT SCALE DRAWING	
THIRD ANGLE PROJECTION		DO NOT SCALE DRAWING		SHEET 1 OF 1	